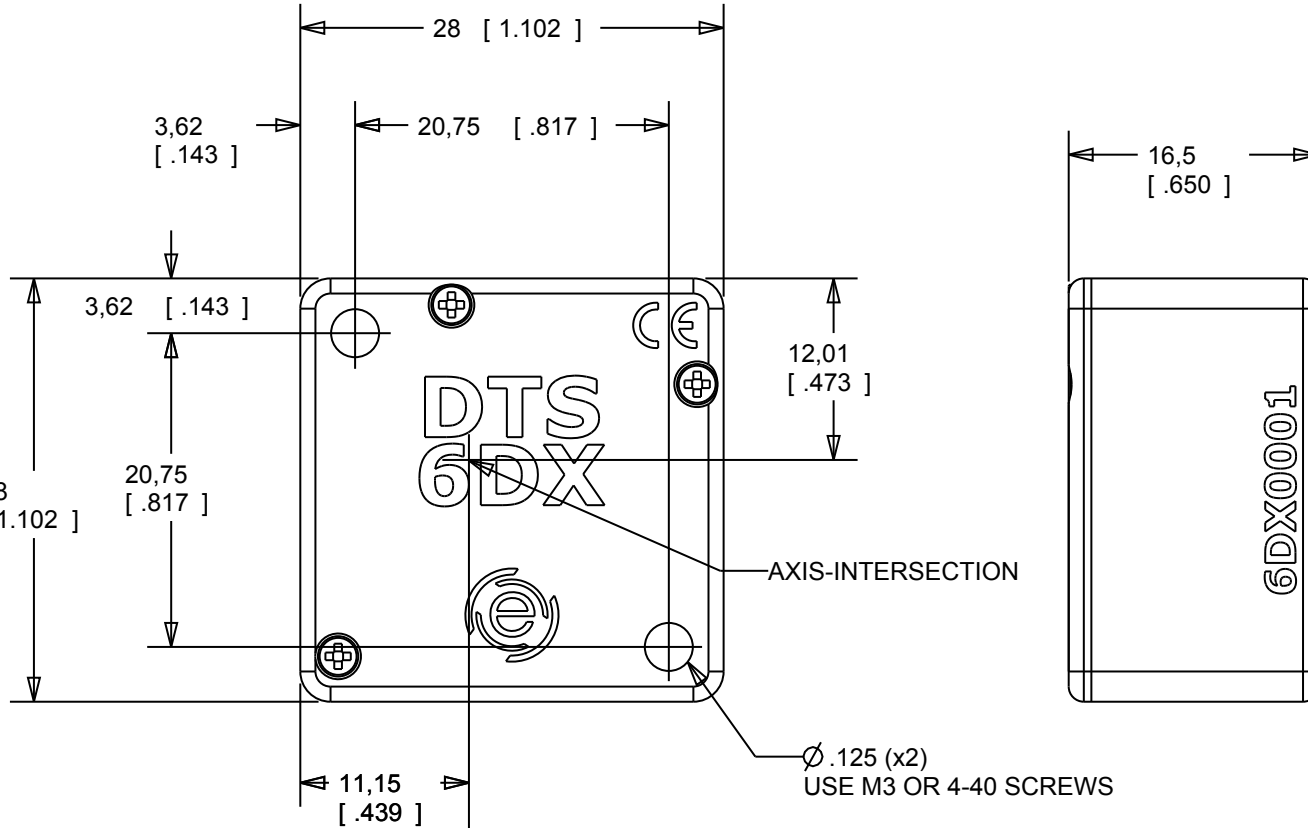
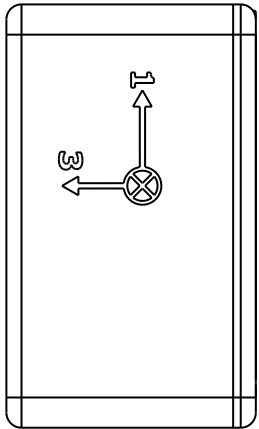
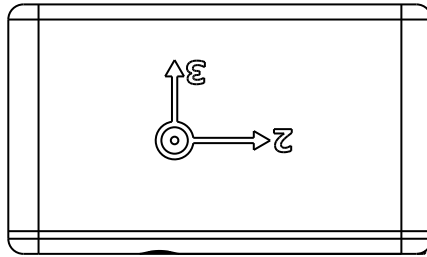
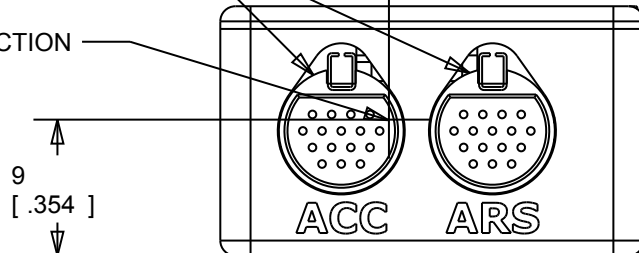


REVISIONS			
REV	DESCRIPTION	DATE	APPR



OMNETICS 16-PIN REC. W/ LATCH (x2)

AXIS-INTERSECTION



UNLESS OTHERWISE SPECIFIED
 DIMENSION ARE IN MM
 TOLERANCES ARE:
 DECIMALS: ANGLES:
 .X ±.25 ±.5°
 .XX ±.1

DO NOT SCALE DRAWING

MATERIAL:

DTS 909 ELECTRIC AVE, SUITE 206
 SEAL BEACH, CA 90740
 562-493-0158

NAME/DESC:
**6DX,
 MOUNTING DIMENSIONS**

DRAWING NO: **6DX-M2D-1353** REV: **0**

DRAWN BY: **G NEWTON 9-5-08** SIZE: **A** SCALE: **2:1** SHEET: **1 OF 1**