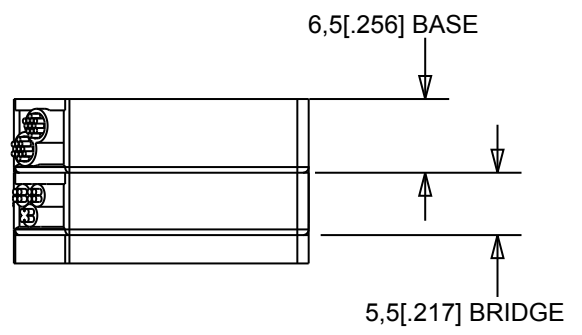
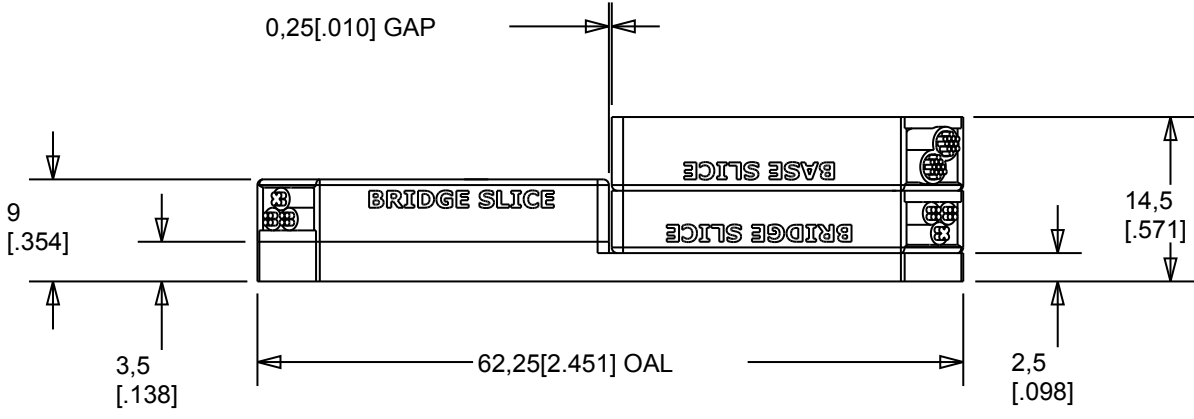
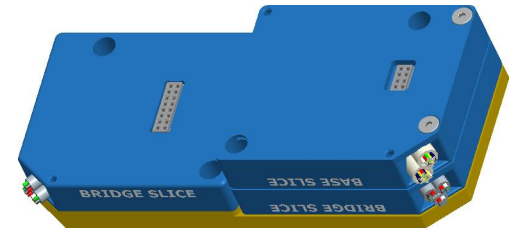
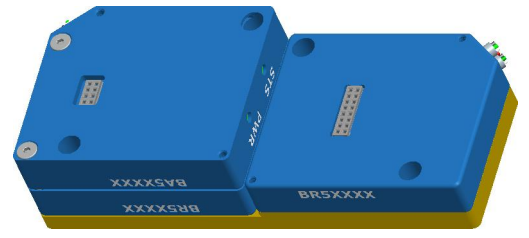
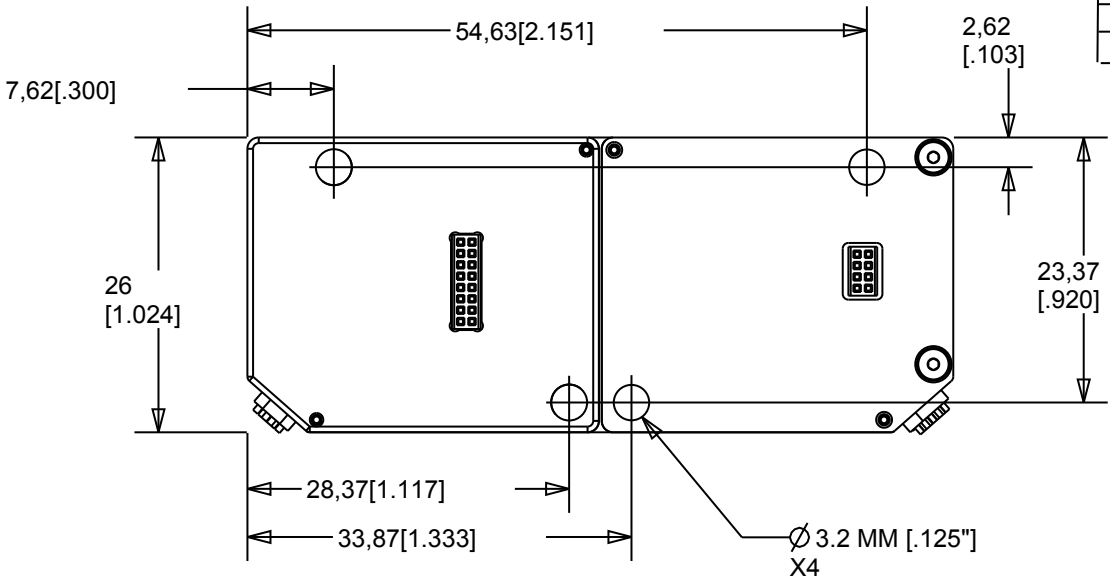



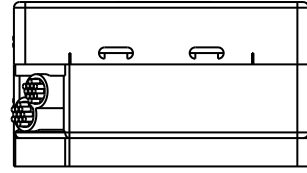
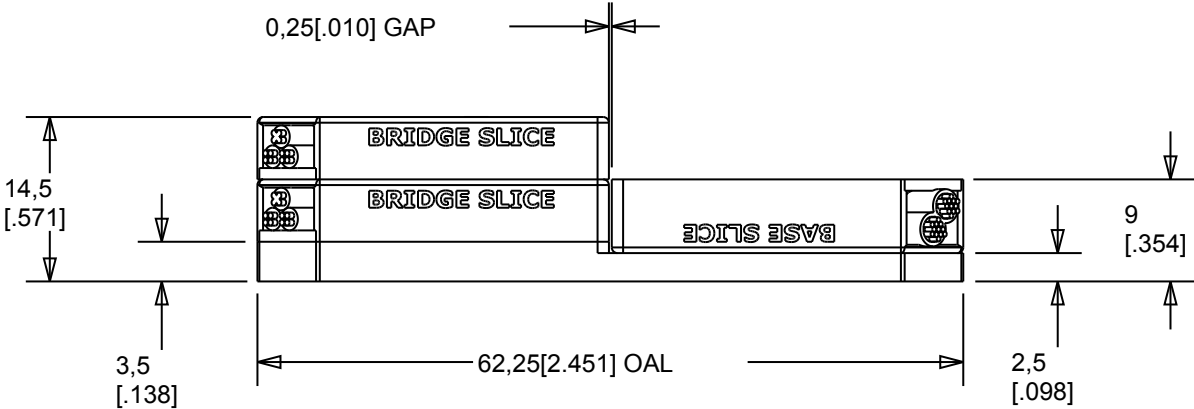
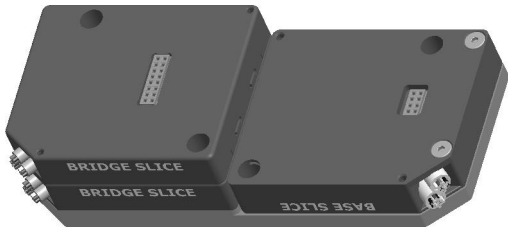
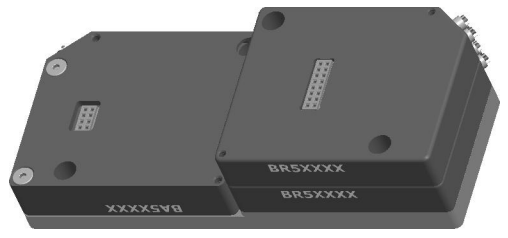
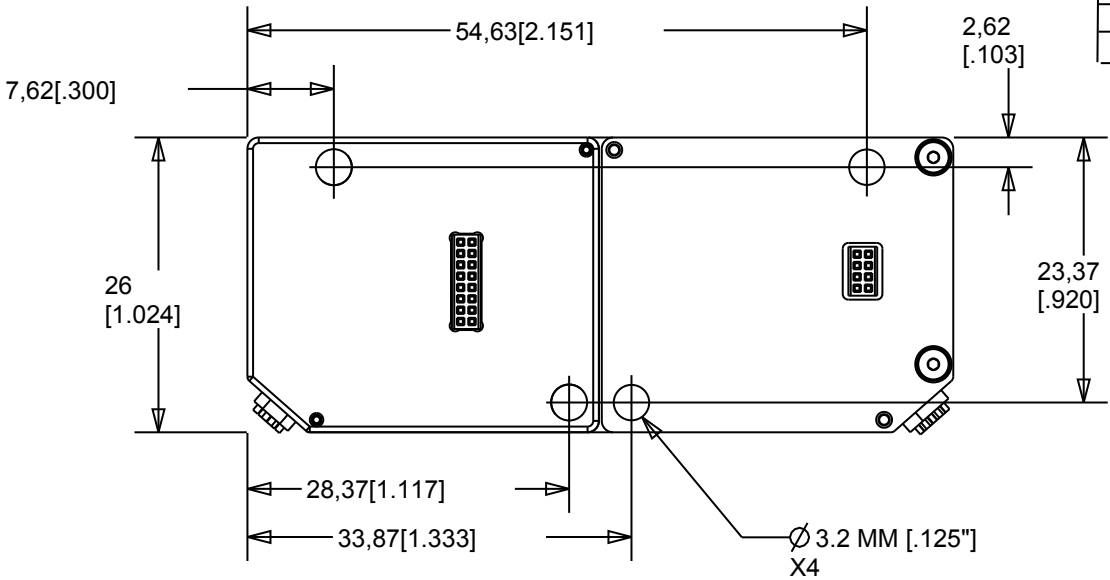
REVISIONS			
REV	DESCRIPTION	DATE	APPR



BREAK AND DEBURR ALL SHARP EDGES

UNLESS OTHERWISE SPECIFIED DIMENSION ARE IN MM TOLERANCES ARE: DECIMALS: ANGLES: .X ± .25 ± .5° .XX ± .1  DO NOT SCALE DRAWING	 909 ELECTRIC AVE, SUITE 206 SEAL BEACH, CA 90740 562-493-0158	
	NAME/DESC: <b>SLICE NANO EXTENDER,          BASE &amp; 1BRIDGE + 1BRIDGE</b>	
MATERIAL: <b>6061-T651 ALUMINUM</b>	DRAWING NO: <b>G NEWTON 4-9-09</b>	REV: <b>0</b>
	DRAWN BY: <b>G NEWTON 4-9-09</b>	SIZE: <b>A</b> SCALE: <b>1:1</b> SHEET: <b>1 OF 1</b>

REVISIONS			
REV	DESCRIPTION	DATE	APPR



BREAK AND DEBURR ALL SHARP EDGES

UNLESS OTHERWISE SPECIFIED  
 DIMENSION ARE IN MM  
 TOLERANCES ARE:  
 DECIMALS: ANGLES:  
 .X ± .25 ± .5°  
 .XX ± .1

DO NOT SCALE DRAWING

**DTS** 909 ELECTRIC AVE, SUITE 206  
 SEAL BEACH, CA 90740  
 562-493-0158

NAME/DESC:  
**SLICE NANO EXTENDER,  
 BASE + 2BRIDGE**

MATERIAL:  
**6061-T651  
 ALUMINUM**

DRAWING NO:  
 DRAWN BY:  
**G NEWTON 4-9-09**

REV: **0**  
 SIZE: **A** SCALE: **1:1** SHEET: **1 OF 1**